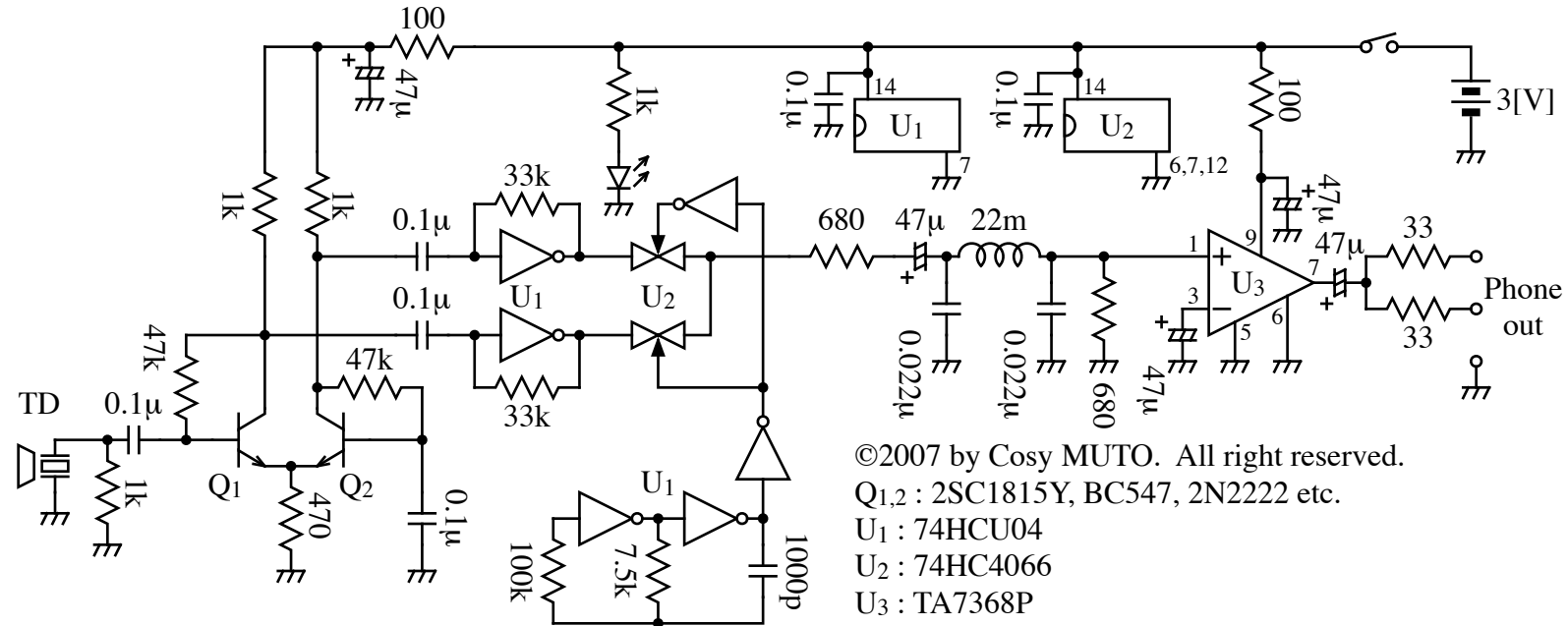


BD4066 schematic



©2007 by Cosy MUTO. All right reserved.

Q_{1,2} : 2SC1815Y, BC547, 2N2222 etc.

U₁ : 74HCU04

U₂ : 74HC4066

U₃ : TA7368P

TD : 40kHz ultrasonic transducer